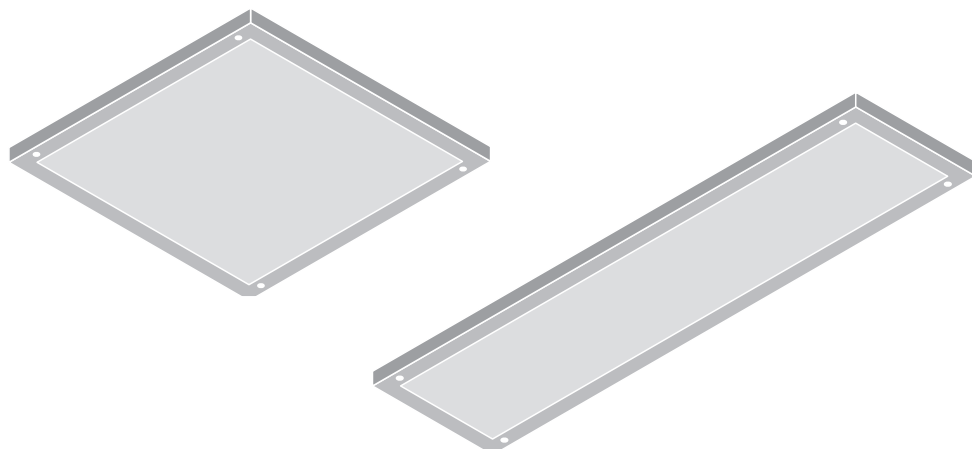




PANEL INTEGRATED SF 600/1200



NOT FOR PRINT PRODUCTION!

WARNING:

This PDF file is for reference only and not to be used for the creation of production art. Colour printouts and screen displays should not be used for colour approval as colours may vary from device to device. The colour values for this file are defined in either Pantone (PMS), HKS, or in process colours (CMYK). For obtaining hard-copies in actual size (1:1) you need to enter the proper settings in your printer options.

本品不可印刷生产

警告:

本PDF文档仅作为参照文件，不能将本文档用于印刷生产或者制作菲林。本文档的彩色打印版本或其在电脑屏幕中显示的色彩，不可用于最终的色彩参照。因为硬件或设备的差异，可能造成色彩的偏差。最终正式的色彩请遵照由色板卡片PMS、HKS或者CMYK(青红黄黑)所定义的色彩。若本文档的打印件要获取1:1的原始尺寸，须在打印选项中作出相应的设置。



	EAN	l x w x h [mm]	W	V _{AC}	Hz	lm	lm/W	K
PL INT SF 600 V 35W 840	4099854188411	595x595x34	35	220-240	50/60	4200	120	4000
PL INT SF 600 V 35W 840 UGR19	4099854188435	595x595x34	35	220-240	50/60	3675	105	4000
PL INT SF 600 V 42W 840	4099854188459	595x595x34	42	220-240	50/60	5040	120	4000
PL INT SF 600 V 42W 840 UGR19	4099854188473	595x595x34	42	220-240	50/60	4410	105	4000
PL INT SF 1200 V 35W 840	4099854188497	295x1195x34	35	220-240	50/60	4200	120	4000
PL INT SF 1200 V 35W 840 UGR19	4099854188510	295x1195x34	35	220-240	50/60	3675	105	4000
PL INT SF 1200 V 42W 840	4099854188534	295x1195x34	42	220-240	50/60	5040	120	4000
PL INT SF 1200 V 42W 840 UGR19	4099854188558	295x1195x34	42	220-240	50/60	4410	105	4000

	EAN	IP	IK	∇	R _a	Δ (°C)	PF	👤
PL INT SF 600 V 35W 840	4099854188411	20	02	120	>80	0° .. +40°	>0.9	2,7 kg
PL INT SF 600 V 35W 840 UGR19	4099854188435	20	02	90	>80	0° .. +40°	>0.9	2,8 kg
PL INT SF 600 V 42W 840	4099854188459	20	02	120	>80	0° .. +40°	>0.9	2,7 kg
PL INT SF 600 V 42W 840 UGR19	4099854188473	20	02	90	>80	0° .. +40°	>0.9	2,8 kg
PL INT SF 1200 V 35W 840	4099854188497	20	02	120	>80	0° .. +40°	>0.9	2,7 kg
PL INT SF 1200 V 35W 840 UGR19	4099854188510	20	02	90	>80	0° .. +40°	>0.9	2,8 kg
PL INT SF 1200 V 42W 840	4099854188534	20	02	120	>80	0° .. +40°	>0.9	2,7 kg
PL INT SF 1200 V 42W 840 UGR19	4099854188558	20	02	90	>80	0° .. +40°	>0.9	2,8 kg



NOT FOR PRINT PRODUCTION!

WARNING:

This PDF file is for reference only and not to be used for the creation of production art.
 Colour printouts and screen displays should not be used for colour approval as colours may vary from device to device. The colour values for this file are defined in either Pantone (PMS), HKS, or in process colours (CMYK).
 For obtaining hard-copies in actual size (1:1) you need to enter the proper settings in your printer options.

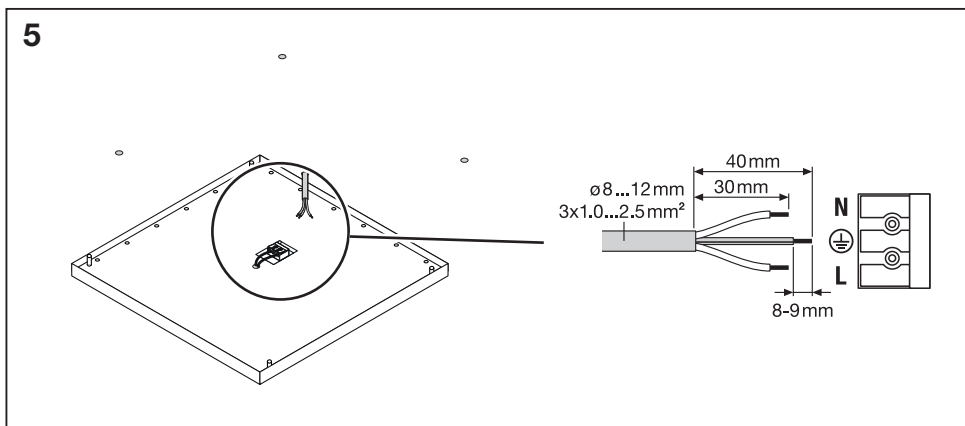
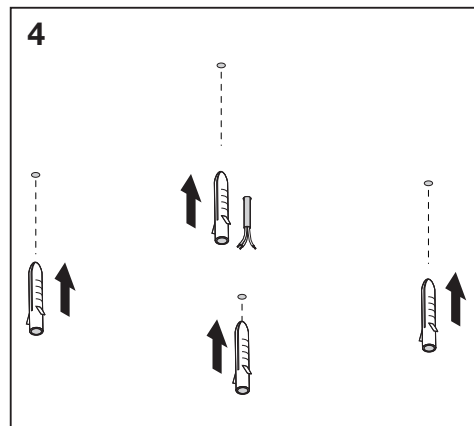
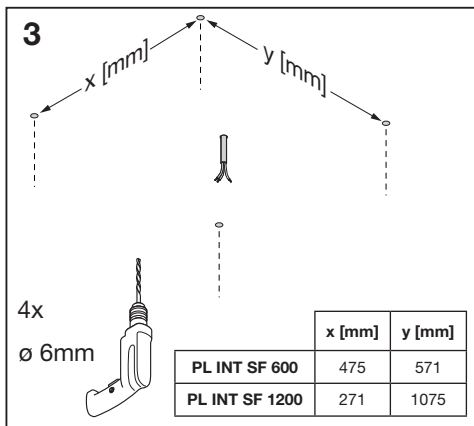
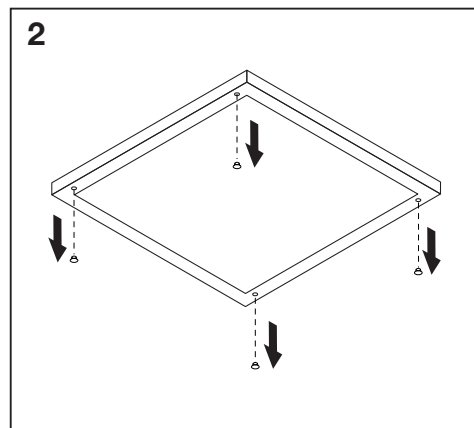
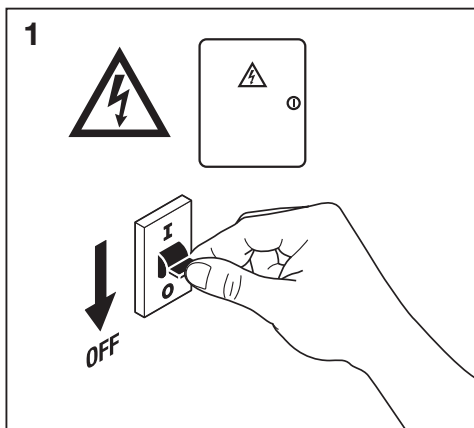
本品不可印刷生产

警告:

本PDF文档仅作为参考文件，不能将本文件用于印刷生产或者制作菲林。本文件的彩色打印版本或其电脑屏幕中显示的色彩，不可用于最终的色彩参照。因为硬件或设备的差异，可能造成色彩的偏差。最终正式的色彩请遵照由色板卡片PMS、HKS或者CMYK(青红黄黑)所定义的色彩。若本文件的打印件要获取1:1的原始尺寸，须在打印选项中作出相应的设置。

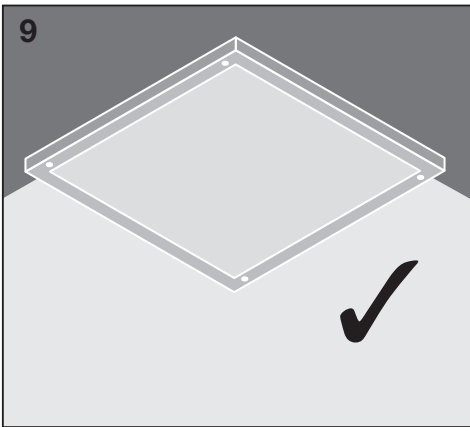
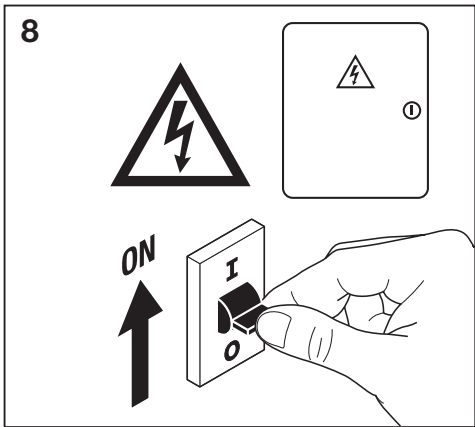
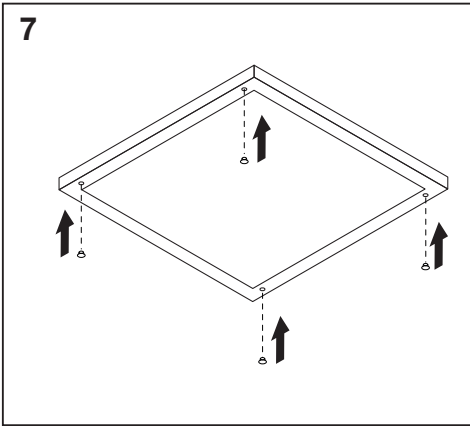
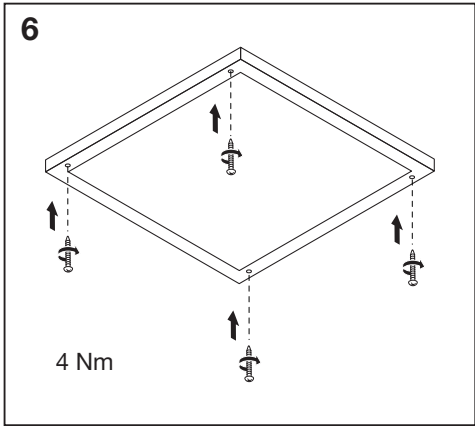


PANEL INTEGRATED SF 600/1200





PANEL INTEGRATED SF 600/1200



**

	B16A 	C10A 	C16A
PL INT SF 600/1200 V 35W 42W	n = 12	n = 13	n = 21

NOT FOR PRINT PRODUCTION!

WARNING:

This PDF file is for reference only and not to be used for the creation of production art. Colour printouts and screen displays should not be used for colour approval as colours may vary from device to device. The colour values for this file are defined in either Pantone (PMS), HKS, or in process colours (CMYK). For obtaining hard-copies in actual size (1:1) you need to enter the proper settings in your printer options.

本品不可印刷生产

警告:

本PDF文档仅作为参考文件，不能将本档用于印刷生产或者制作菲林。本档的彩色打印版本或其于电脑屏幕中显示的色彩，不可用于最终的色彩参照。因为硬件或设备的差异，可能造成色彩的偏差。最终正式的色彩请遵照由色板卡片PMS、HKS或者CMYK(青红黄黑)所定义的色彩。若本档的打印件要获取1:1的原始尺寸，须在打印选项中作出相应的设置。





NOT FOR PRINT PRODUCTION!

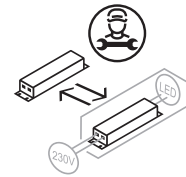
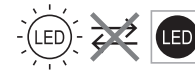
WARNING:

This PDF file is for reference only and not to be used for the creation of production art. Colour printouts and screen displays should not be used for colour approval as colours may vary from device to device. The colour values for this file are defined in either Pantone (PMS), HKS, or in process colours (CMYK). For obtaining hard-copies in actual size (1:1) you need to enter the proper settings in your printer options.

本品不可印刷生产

警告:

本PDF文档仅作为参照文件，不能将本文件用于印刷生产或者制作菲林。本文件的彩色打印版本或在电脑屏幕中显示的色彩，不可用于最终的色彩参照。因为硬件或设备的差异，可能造成色彩的偏差。最终正式的色彩请遵照由色板卡片PMS、HKS或者CMYK(青红黄黑)所定义的色彩。若本文件的打印件要获取1:1的原始尺寸，须在打印选项中作出相应的设置。



© LEDVANCE Ltd, Aquila House
Delta Crescent, Westbrook, Warrington
WA5 7NR, United Kingdom



LEDVANCE GmbH
Steinerne Furt 62
86167 Augsburg, Germany
www.ledvance.com

